

SAMSON BOILER CONTROLLER

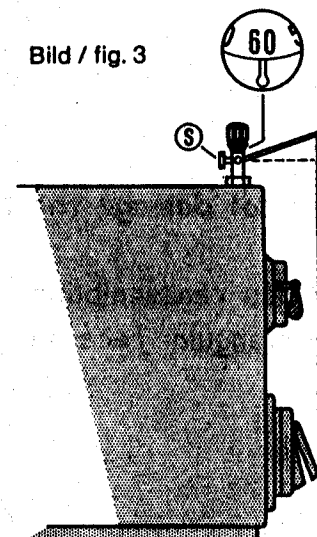
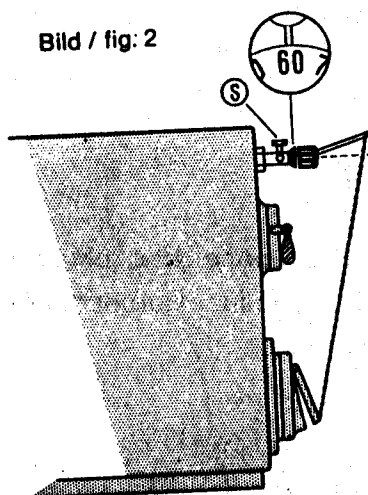
The controllers type 5d and 5s close the air inlet flap with rising temperature. Besides this type 5s "with the red ring" closes the inlet flap in case of overheating conditional of faults.

Attention:

On case of types 5s controller the set value knob must be adjusted to 100° C unless the hot water boiler is fired with solid fuels.

This controller can be installed either vertically or horizontally. When installed horizontally hexagon screw (S) must be at the top. For control in this position the red figures and the red mark are used see (fig 2).

When installed vertically hexagon screw (S) has to be at the back and in this position the white figures and the white mark are used (fig 3).



Mounting

The immersion pocket must be firmly connected to the controller. Screw controller into the boiler by using hemp or sealing compound (do not use washers). If the lever arm (1) impedes this slacken hexagon screw (2) so that the lever arm can be turned or if removal of the lever arm is unavoidable then loosen hexagon screw, remove lever arm and extract connecting piece (3) from hole (5).

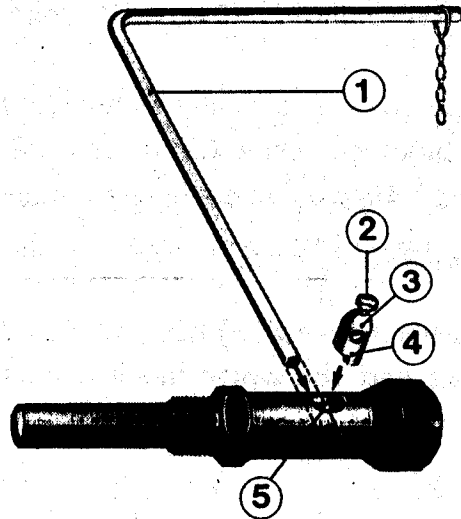


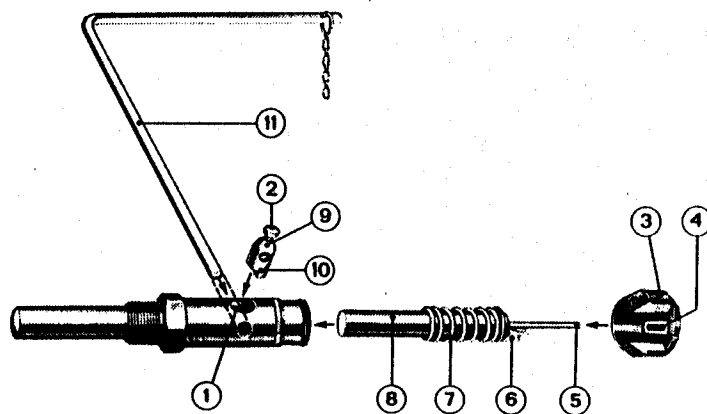
Bild / fig. 4

Do not damage the thread when tightening

When reassembling the lever arm, insert the connecting piece so that rectangular recess (4) faces the hexagon of the immersion pocket (fig 4).

Replacing of the thermostat

Turn the hand knob clockwise to the stop. Loosen hexagon screw (2), remove lever arm (11) and connecting piece (9) with hexagon screw. Loosen mounting stud (3) in the hand knob by about 3 rotations to the left, screw off hand knob by pressing it slightly towards casing of Controller. By means of pin (5) draw thermostat (8) with spring (7) out of immersion pocket, withdraw spring from thermostat and place it on the new one. Push thermostat with spring into immersion pocket and mount it so that part (6) is opposite the hole (1). Fit hand knob on housing so that pin (5) engages with hole (4). In this case the white mark has to point to the white figure "40" and the red mark to the red figure "40". In this position it is necessary to press the hand knob against the spring as far as possible and to turn it completely to the right, so that the mark registers with figure "30". Screw mounting stud (3) into the hand knob. Insert connecting piece (9) with hexagonal screw (2) in hole (1). See that the rectangular opening (10) of connecting piece (9) faces the hexagon of the immersion pocket. Insert lever arm (11) and tighten hexagon screw (2). See that the hexagon screw bears on a flat surface of the lever arm and not on an edge.



Adjustment

Attention

Before adjustment first check free moving and tight closing of the air inlet flap. (No wedging, no foreign bodies).

Set required flow temperature by means of hand knob. Allow boiler to heat up slowly until the set temperature is reached. Arrange the lever arm so that short section points to the front, lies approximately horizontal (dotted line in fig. 2 and 3) and is such that the chain vertically overhangs the air inlet flap. It is secured in this position by tightening hexagon screw (2). Please note that the hexagon screw must bear on a flat surface of the lever arm and not on an edge. Shorten the chain so that the damper flap remains open to about 1 mm's extent.

Operation

The desired flow temperature is set by turning the hand knob of the controller. The scale to be used and the corresponding mark on the cover depends on the installed position of the controller:

- In horizontal position - red figures and red mark.
- In vertical position - white figures and white mark.