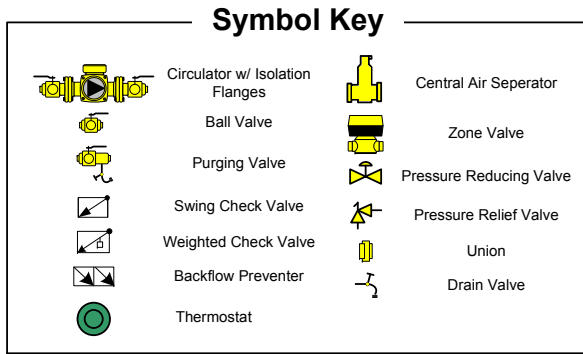
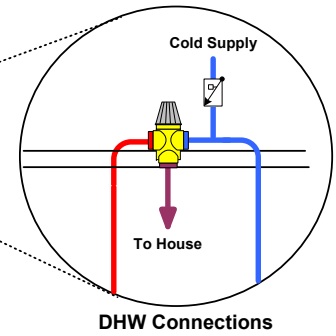
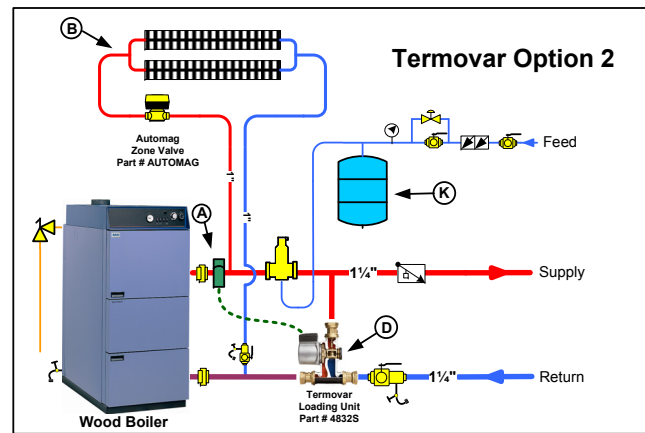
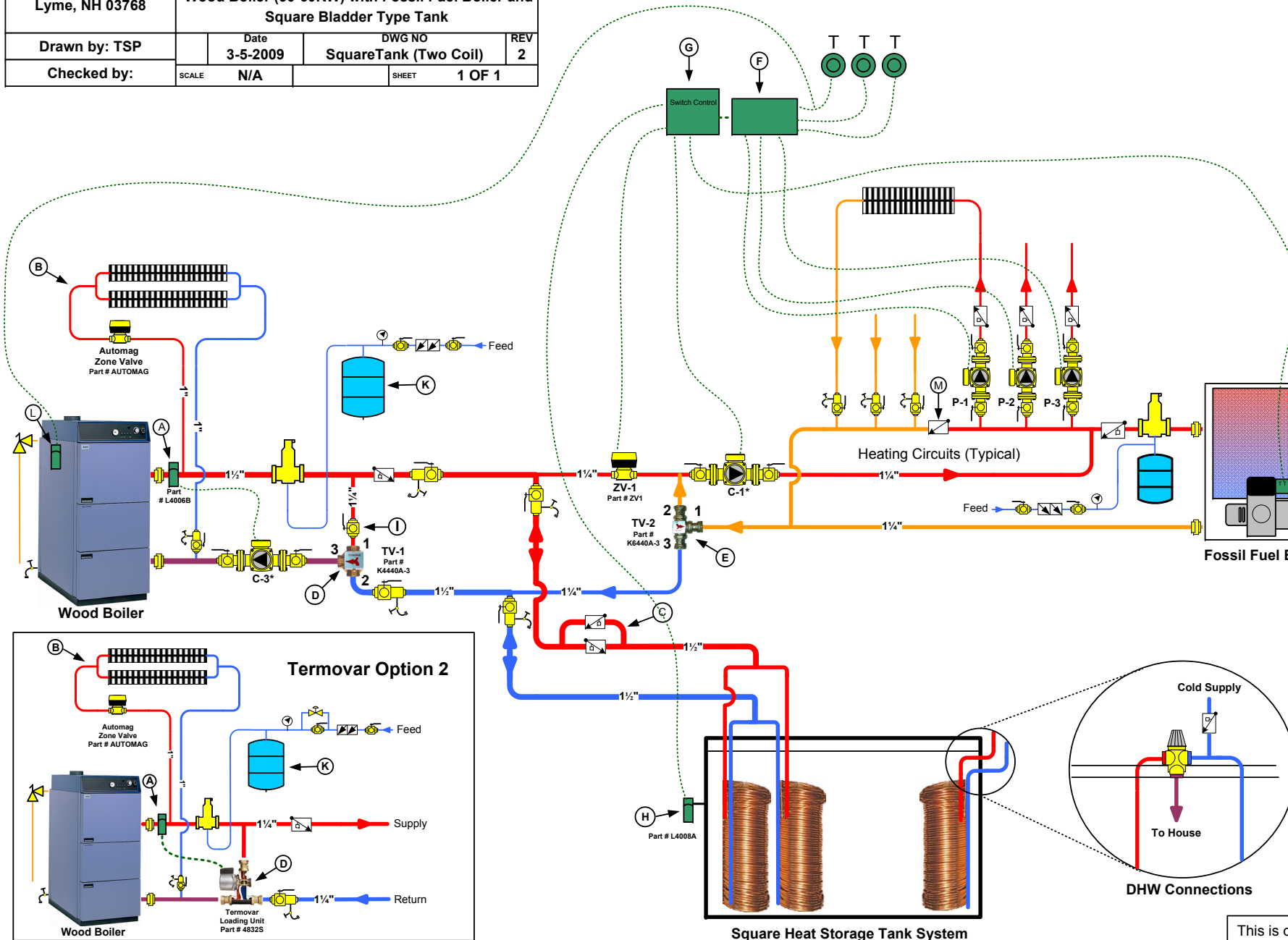


BioHeat USA 4 Britton Lane Lyme, NH 03768	BioHeat USA Piping Layout Concept Diagram		
	Wood Boiler (50-60KW) with Fossil Fuel Boiler and Square Bladder Type Tank		
Drawn by: TSP	Date 3-5-2009	DWG NO SquareTank (Two Coil)	REV 2
Checked by:	SCALE N/A	SHEET 1 OF 1	



NOTES:

- (A) Aquastat-Honeywell L4006B BioHeat part #L4006B- **Used Only for the Solo Plus Boiler with the Analog Controller.**
- (B) Emergency Gravity Flow Overheat Loop-Needs to be 10% of Wood Boiler Output. The Automag Zone Valve must be Mounted Horizontally.
- (C) Weighted Check Valves Used as Heat Traps
- (D) Termovar Mixing Valve (2 Options Available)
- (E) Termovar Diverter Valve-Termovar Kit-Part #K6440AF
- (F) Circulator Switch Relay-Typical Controller
- (G) BioHeat USA Switch Control-Part # BLTCONTROL
- (H) Backup Boiler Control-Honeywell Aquastat L4008A or Equivalent
- (I) Balancing Valve Required. (Start with Valve Closed halfway, i.e., at 45 degrees)
- (J) Anti-Scald Valve needs to be installed below tank's water line or swing check installed on cold water line to prevent hot water from entering cold water
- (K) Amtrol 60 or Equivalent Expansion Tank is Suitable for most Solo Plus Installations up to 86 gallons
- (L) Honeywell L4008B Overheat Aquastat Set to 200°F.
- (M) Check Valve Should be a Swing Check and not a Weighted Check Valve to Prevent Ghost Flow to Heating Circuits.



This is only a **concept** drawing. Final design, installation and code compliance details are the responsibility of the designer/installer of the system.