

Mounting Instructions



Pellet Reservoir

Read and follow the operating instructions and safety information! Subject to technical change!

Dear installer,

We are pleased that you chose a quality product from Froling. The P4 Pellet Froling Reservoir features a state-of-the art design. Please read and follow the assembly instructions. They contain safety instructions and comprehensive information relating to assembling the pellet reservoir.

The continuous development of our products means that there may be minor differences between the illustrations and other content of the document. If you discover any errors, please let us know.

We reserve the right make technical changes

1 General Information

DANGER!

⚠ Working on electrical components may cause severe injuries from electric shocks!

WARNING!

⚠ Assemble and Install by Qualified Technicians. Property Damage and Injury Possible! Assemble instructions must be observed.

1.1 Standard Notes

Install, modify and use only in accordance with manufacturer's manuals. Refer to authorities having jurisdiction for proper installation. Contact local building and fire officials about restrictions and installation inspection in your area.

1.2 Proper Use

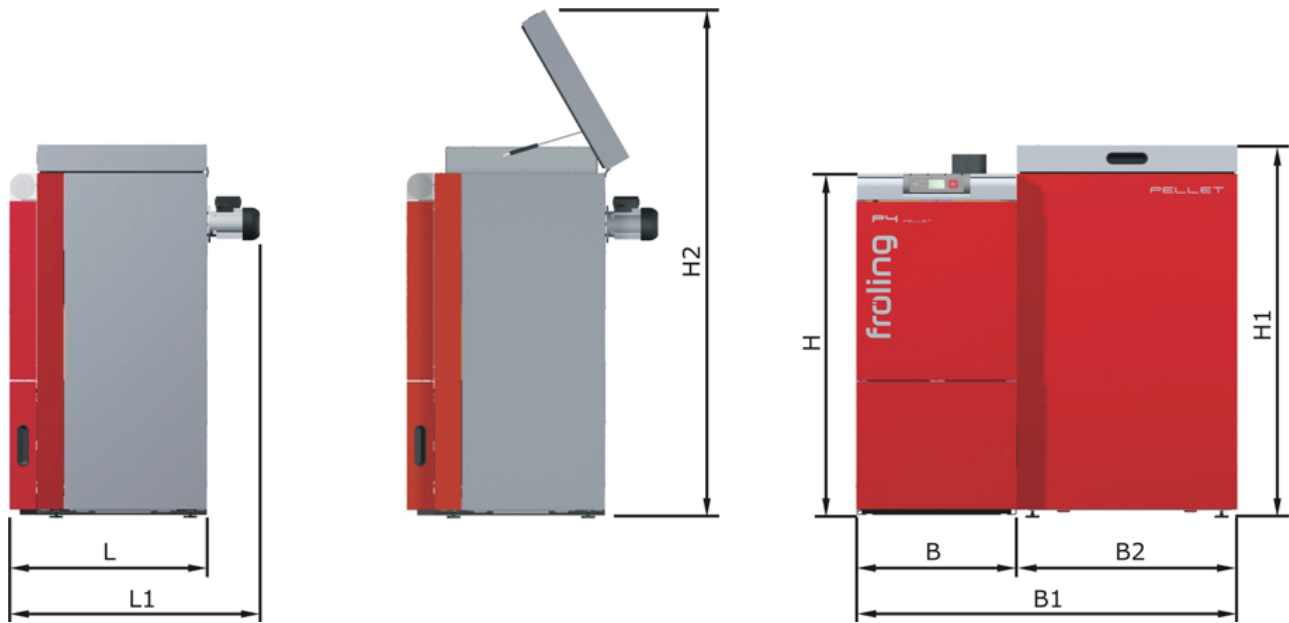
The Froling Pellet Reservoir is used exclusively for the storage of pellets. Only pellets classified in "Section 1.2.1 Permitted Fuels" can be used.

The manufacturer/supplier is not responsible if the Pellet Reservoir is used for different fuels.

1.2.1 Permitted Fuels

Wood pellets from untreated wood with diameter of ¼" (6mm).

2 Technical Data



Dimension	Component	Unit	P4 Pellet			
			8	15	20	25
L	Length, Boiler	inches	29 ¹ / ₈	29 ¹ / ₈	29 ¹ / ₈	29 ¹ / ₈
L1	Total Length Inc. Fan		37	37	37	37
B	Width, boiler	inches	23 ⁵ / ₈	23 ⁵ / ₈	30 ¹ / ₄	30 ¹ / ₄
B1	Total Width, Inc. Pellet Reservoir		56	56	62 ³ / ₄	62 ³ / ₄
B2	Pellet Reservoir		32 ¹ / ₂	32 ¹ / ₂	32 ¹ / ₂	32 ¹ / ₂
H	Height, boiler	inches	50 ³ / ₈	50 ³ / ₈	50 ³ / ₈	50 ³ / ₈
H1	Height, Pellet Reservoir		55 ¹ / ₈	55 ¹ / ₈	55 ¹ / ₈	55 ¹ / ₈
H2	Height, Pellet Reservoir		74 ¹ / ₂	74 ¹ / ₂	74 ¹ / ₂	74 ¹ / ₂

Component	Unit	P4 Pellet			
		8	15	20	25
Volume, Pellet Reservoir	Gallons	62	62	62	62
Total Weight Inc. Pellet Reservoir	lbs	873	895	1036	1058

3 Mounting Pellet Reservoir



- The Pellet Reservoir is shipped with the boiler.



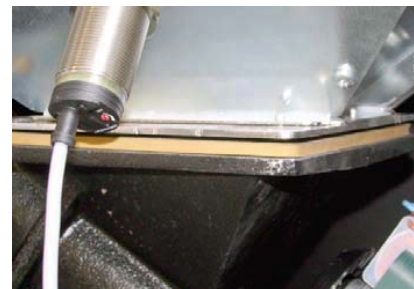
- Open the tank lid to find the bag of accessories (rubber gasket, screws, and assembly instructions).
- Unscrew sheet metal screws at the top of the front cover and remove cover.



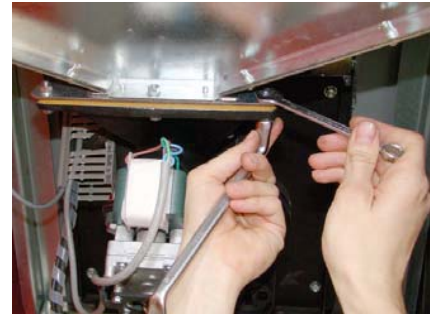
- Remove transportation screws.

After assembly of the pellet boiler in accordance with mounting instructions:

- Place rubber seal on stoker channel flange.
- Move the Pellet Reservoir into position by aligning the faces of the two flanges.



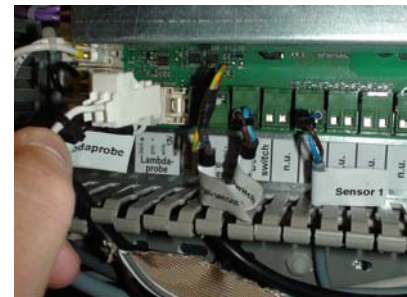
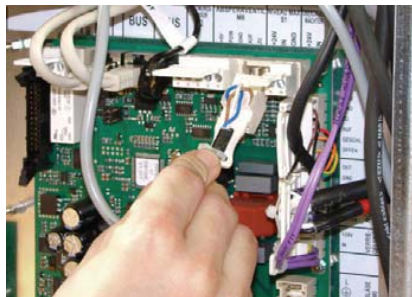
- Cut the wire tie holding the level sensor wire.
- Line up the stoker channel flange holes with the reservoir flange holes.



- ❑ Adjust the leveling legs until the reservoir flange mates with the stoker channel flange.
- ❑ Install flange bolts and tighten.
 - ☞ TIP: To obtain more accessibility to the flange bolts, the side panel can be removed.
 - ☞ Before tightening the flange bolts check that the front panel fits properly (aligns properly with boiler body). Adjust Pellet Reservoir, if needed.



- ❑ Feed level (gray) and door switch (black) cables through the boiler's jacket.



- ❑ Connect the level sensor to the slot labeled "Level Max S1".
- ❑ Connect the door switch cable to the slot labeled "Boiler Release".



- Excess cable can be placed in wire harness box.
- Reassemble boiler and pellet reservoir panels.

3.1 Manufacturer

FROLING GmbH

**Industriestraße 12
A-4710 Grieskirchen
AUSTRIA**

PHONE 0043 (0)7248 606 0

E-MAIL info@froeling.com

INTERNET www.froeling.com

3.2 Importer

BioHeatUSA

**4 Britton Lane
P.O. Box 285
Lyme, NH 03768**

PHONE 800.782.9927

E-MAIL info@bioheatusa.com

INTERNET www.bioheatusa.com

3.3 Local Dealer

